



Market Central, Inc Application Note

SecureSwitch® Fiber Optic A/B/C Switch Revision B Deployment In A DVS-II Hybrid End-Point Connection Configuration.

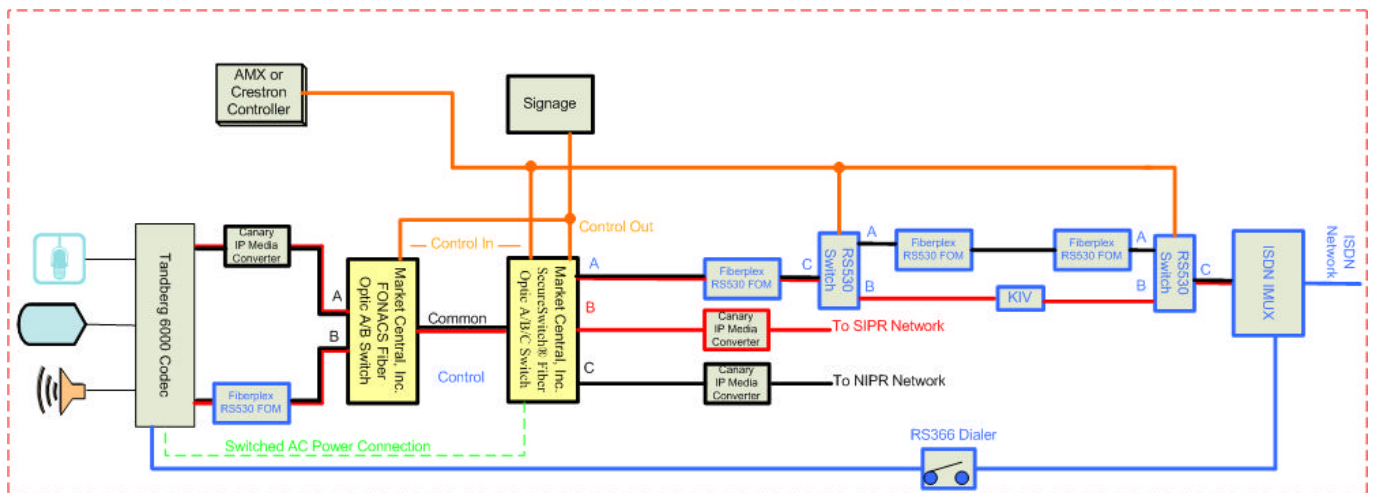
The SecureSwitch® Fiber Optic A/B/C Switch Revision B has been successfully deployed as part of a hybrid Video Teleconference connection configuration that supports isolated Secure IP, Non-secure IP, Secure ISDN or Non-secure ISDN wide area connectivity. The primary benefits of this solution are:

- Highest level of port isolation between connected and non-connected data paths. The SecureSwitch® products are the only interface selector switches in the market that have been validated by NIAP to meet the EAL Level-4 Augmented common criteria.
- Insure that when a VTC session is in progress that no other calls can be initiated or answered.
- Migratory path for existing DVS-G equipment to the DVS-II standard.

Operation:

The SecureSwitch® Fiber Optic A/B/C Switch provides NIAP Validated EAL Level 4 Augmented isolation between all data paths being presented to the VTC Codec. In this configuration, the common port of the SecureSwitch® is connected to a Market Central FONACS A/B switch. The A and B Positions of the FONACS provides the IP network connectivity and ISDN connectivity respectively thru the appropriate fiber optic media converters and RS530 FOM. System control is established by the Crestron or AMX Controller that is connected to the SecureSwitch® unit's dry contact input connections. The output dry contact connections of the SecureSwitch® device control the FONACS' switching and drives a sign that indicates the security level of the VTC in progress. This configuration eliminates the possibility of multiple concurrent communications through the Codec.

To learn more about this solution, please contact our sales engineering team.



Market Central, Inc.

500 Business Center Drive
Pittsburgh, PA 15205-1333
Cage Code: 1BGJ7

Phone: 412-494-2800

Fax: 412-494-5550

E-mail: info@seureswitch.com

